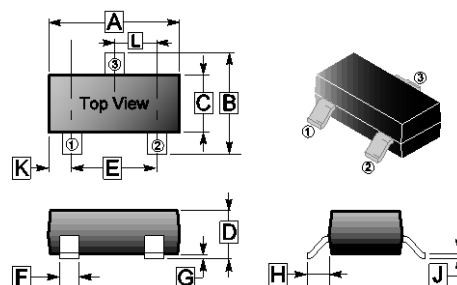


RoHS Compliant Product
A suffix of "-C" specifies halogen & lead-free

FEATURES

- Fast Switching Speed
- Surface Mount Package Ideally Suited for Automatic Insertion
- For General Purpose Switching Applications
- High Conductance

SOT-23

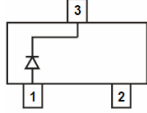
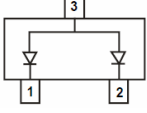
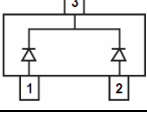
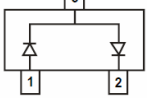


PACKAGE INFORMATION

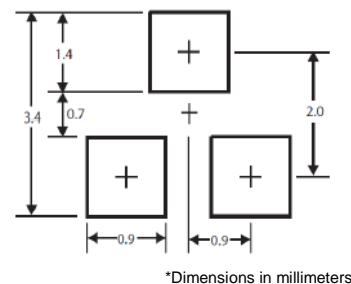
Package	MPQ	Leader Size
SOT-23	3K	7 inch

REF.	Millimeter		REF.	Millimeter	
	Min.	Max.		Min.	Max.
A	2.65	3.10	G	0	0.18
B	2.10	3.00	H	0.55	REF.
C	1.10	1.80	J	0.05	0.26
D	0.89	1.40	K	0.60	REF.
E	1.70	2.30	L	0.95	TYP.
F	0.28	0.55			

ORDER INFORMATION

Part Number	Equivalent Circuit	Marking
BAS21-C		JS
BAS21A-C		JS2
BAS21C-C		JS3
BAS21S-C		JS4

Mounting Pad Layout



ABSOLUTE MAXIMUM RATINGS (T_A=25°C unless otherwise specified)

Parameter	Symbol	Ratings	Unit
Repetitive Peak Reverse Voltage	V _{RRM}	250	V
Working Peak Reverse Voltage	V _{RWM}	250	
DC Blocking Voltage	V _R	250	
Forward Continuous Current	I _F	400	mA
Average Rectified Output Current	I _O	200	mA
Non-Repetitive Peak Forward Surge Current @t=8.3ms	I _{FSM}	2.5	A
Repetitive Peak Forward Surge Current	I _{FRM}	625	mA
Power Dissipation	P _D	225	mW
Thermal Resistance Junction-Ambient	R _{θJA}	555	°C/W
Operating Junction & Storage Temperature Range	T _J , T _{STG}	-55~150	°C

ELECTRICAL CHARACTERISTICS ($T_A=25^\circ\text{C}$ unless otherwise specified)

Parameters	Symbol	Min.	Typ.	Max.	Unit	Test Conditions
Reverse Breakdown Voltage	$V_{(BR)}$	250	-	-	V	$I_R=100\mu\text{A}$
Reverse Voltage Leakage Current	I_R	-	-	0.1	μA	$V_R=200\text{V}$
Forward Voltage	V_F	-	-	1	V	$I_F=100\text{mA}$
		-	-	1.25		$I_F=200\text{mA}$
Total Capacitance	C_T	-	5	-	pF	$V_R=0, f=1\text{MHz}$
Reverse Recovery Time	t_{rr}	-	50	-	nS	$I_F=I_R=30\text{mA}, I_{rr}=0.1 \times I_R, R_L=100\Omega$

RATINGS AND CHARACTERISTIC CURVES

